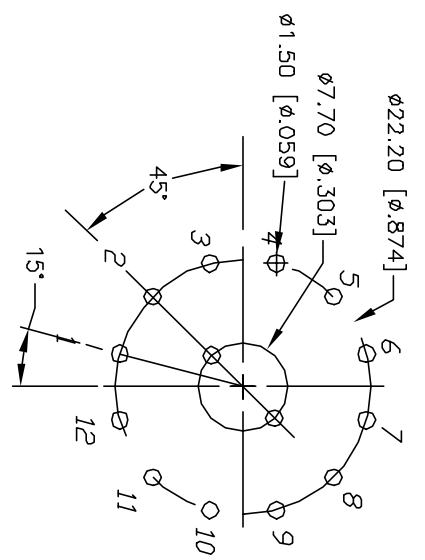
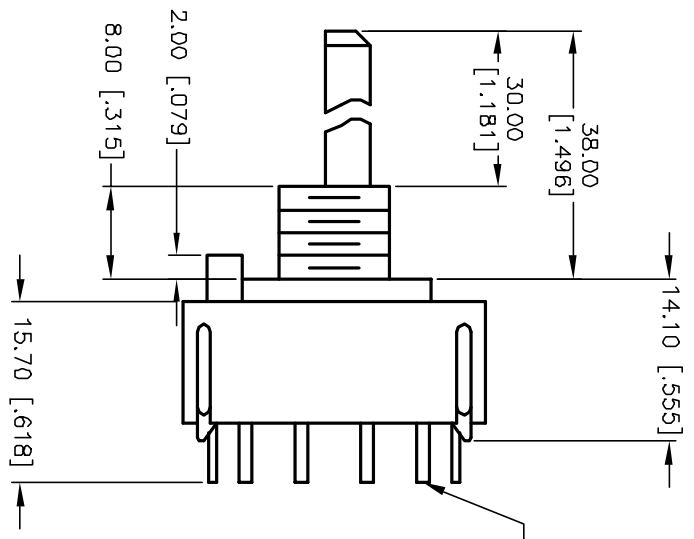
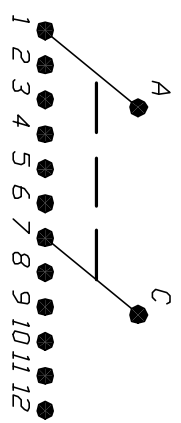
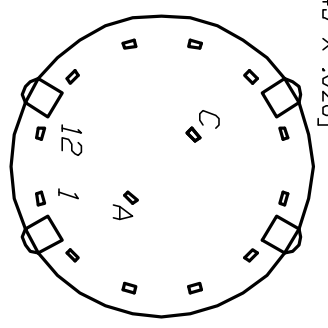


NOTES:

1. ALL DIMENSION IN MM [INCH]
2. GENERAL TOLERANCE: X.X=±0.4
X.XX=±0.25
3. TERM. NOS. FOR REF. ONLY
4. CONTACT RATING SWITCHING: 150mA, 250V AC/DC
350mA, 110V AC/DC
5. CONTACT RATING (NON-SWITCHING) 5A
6. OPERATING FORCE: 425±100 CM/STANDARD
7. OPERATING TEMP: -30° to 85°C
8. CIRCUIT DP: 6 POSITIONS, 30° INDEX.
9. DIELECTRIC STRENGTH 1000V RMS min. @ SEA LEVEL
10. DESIGNATE MAJOR DIMENSIONS
11. LOCK NUT AND WASHER NOT SHOWN.



RECOMMEND P.C.B. HOLES



CONTACT CONFIGURATION

E-SWITCH®

REV.	ECN No.	DESCRIPTION	DATE	CHKD
A	11252	RELEASED FOR PRODUCTION	05/10/01	RJC

TITLE	SCALE	DATE	DR	DWG	REV
KC-26-C-01 (SIMPSON 06-11584)	1.5:1	05/09/01	RJC	G510702	A

THE INFORMATION CONTAINED IN THIS DOCUMENT IS PROPRIETARY TO E-SWITCH AND IS NOT TO BE COPIED OR TRANSMITTED